



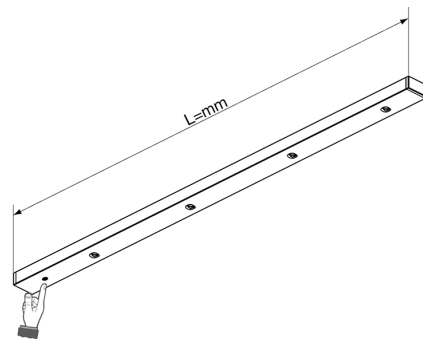
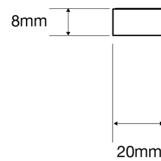
STAR LIGHT

SURFACE MOUNTING

Star Light is a linear profile in discreet and versatile anodized aluminium, suitable for surface installation with clips (included in the package), which can be used as an under wall unit or as a hanging interior. The LED source is available with Natural (4000K) colour temperature. The integrated Touch switch allows the lamp to be switched on/off.



STAR LIGHT



Finish



Anodized aluminium



- integrated Touch switch

STAR LIGHT

27800011200ZN		Touch	6.2W	L 600mm	Natural White	4	IN: 12 VDC
27800021200ZN		Touch	7.2W	L 900mm	Natural White	6	IN: 12 VDC
27800031200ZN		Touch	9.6W	L 1200mm	Natural White	8	IN: 12 VDC

Power supply and control



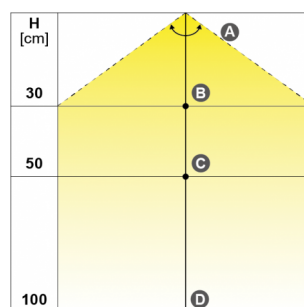
MEC DRIVER

For the selection of the power supply system scan or click the QR code.



SMART SYSTEM

For the choice of control system (only for lights without integrated controls) scan or click the QR code.

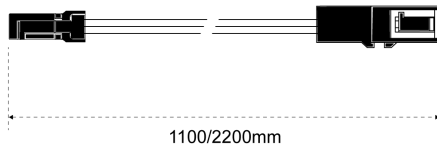


VERS.	900mm NW
A°	60°
B - Lux	765
C - Lux	430
D - Lux	160
LUMEN	302
LUMEN / W	42
CRI	>80

EXTENSION CORD

12VDC

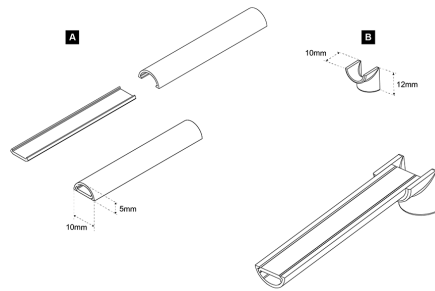
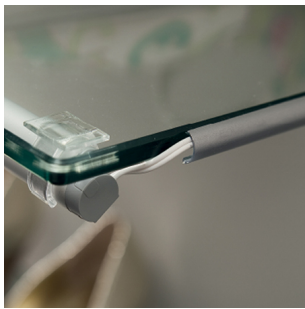
Finish



EXTENSION CORD 12VDC

12604220000		12 VDC	L 1100mm	IN: 12 VDC
12604230000		12 VDC	L 2200mm	IN: 12 VDC

CABLE COVER



Finish



CABLE COVER

1220896__00		600mm	L 600mm	A
1220062__00		1200mm	L 1200mm	A
13201056500				B